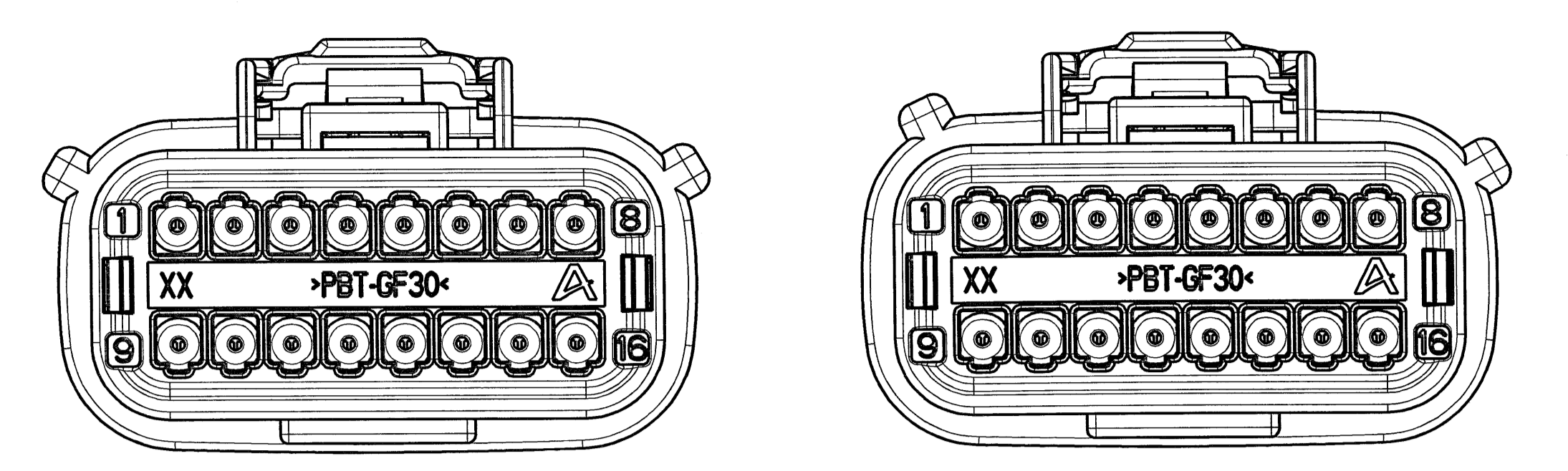


With CPA	No CPA	PCL	Key Option	Color	Housing	CPA	TPA	Retainer	Ring Seal	Mat Seal	Plugged (X) Seal Positions																Total Circuits	Test Method	Mates With Assembly (Reference Only)
54241630	54241630N	E	A	Black	54241680						1	2	3	4	5	6	7	8	9	10	11	12	13	14	15	16		54241600	54241604
54241631	54241631N	E	B	Grey	54241681																					16	54241601	54241605	
54241632	54241632N	E	C	Brown	54241682																					16	54241602	54241606	
54241633	54241633N	E	D	Green	54241683																					16	54241603	54241607	
54241634	54241634N	E	A	Black	54241680																					15	54241608	54241610	
54241635	54241635N	E	B	Grey	54241681																					15	54241609	54241611	
54241636	54241636N	E	A	Black	54241680																					14	54241612	54241614	
54241637	54241637N	E	B	Grey	54241681																					14	54241613	54241615	
54241638	54241638N	E	A	Black	54241680																					13	54241616	54241618	
54241639	54241639N	E	B	Grey	54241681																					13	54241617	54241619	
54241640	54241640N	E	A	Black	54241680																					12	54241620	54241622	
54241641	54241641N	E	B	Grey	54241681																					13	54241621	54241623	
54241642	54241642N	F	A	Black	54241680	54241679 (If Required)	54241686																			11	54241624		
54241643	54241643N	F	A	Black	54241680																					12	54241625		
54241644	54241644N	F	A	Black	54241680																					15	54241626		
55241600	55241600N	H										X	X	X	X	X										10			
55241601	55241601N	H										X	X	X	X	X										11			
55241602	55241602N	H	B	Gray	54241681							X	X	X	X	X										6			
55241603	55241603N	H										X	X	X	X	X										7			
55241604	55241604N	J										X	X	X	X	X										14			
55241605	55241605N	J										X	X	X	X	X										11			
F996100		A										X	X	X	X	X										11			
F007100		A	A	BLACK	54241680							X	X	X	X	X										5			
F107100		A										X	X	X	X	X										10			
F207100		A										X	X	X	X	X										10			
F328100		A										X	X	X	X	X										10			

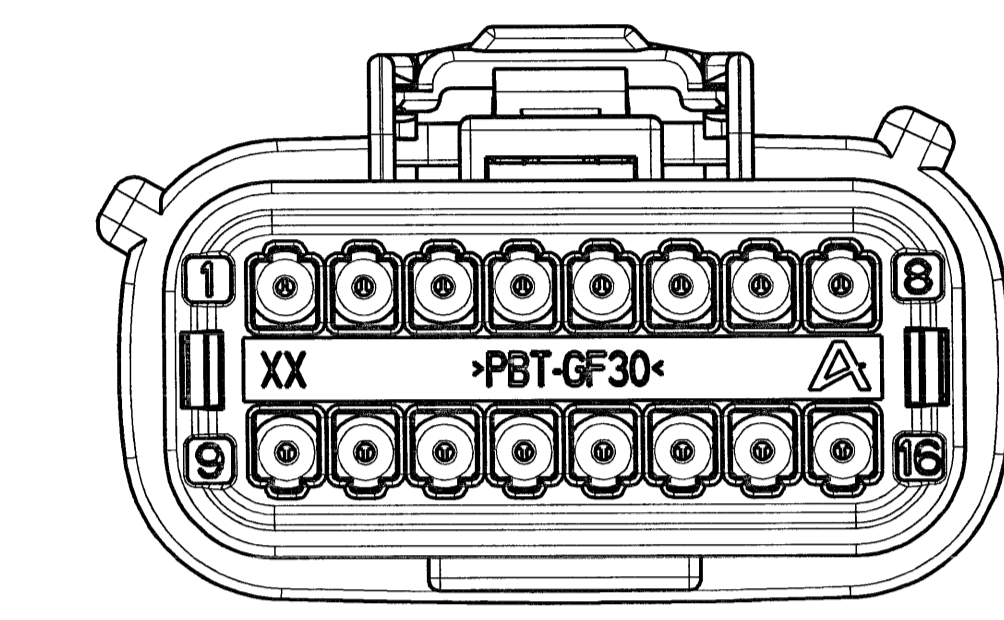


ISO-VIEWS, FULL SIZE

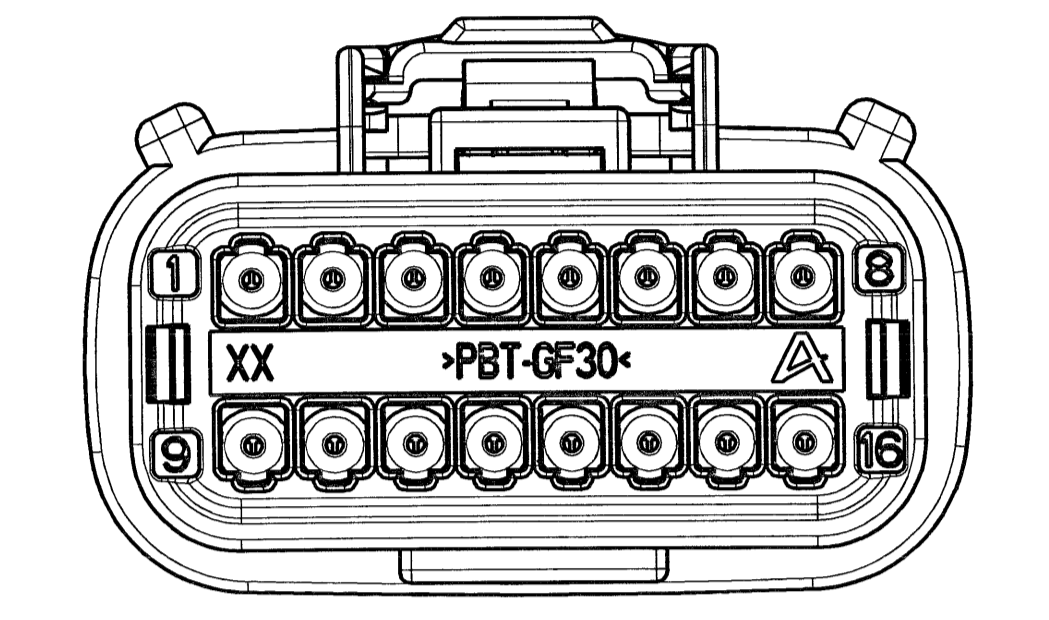


OPTION A

OPTION B

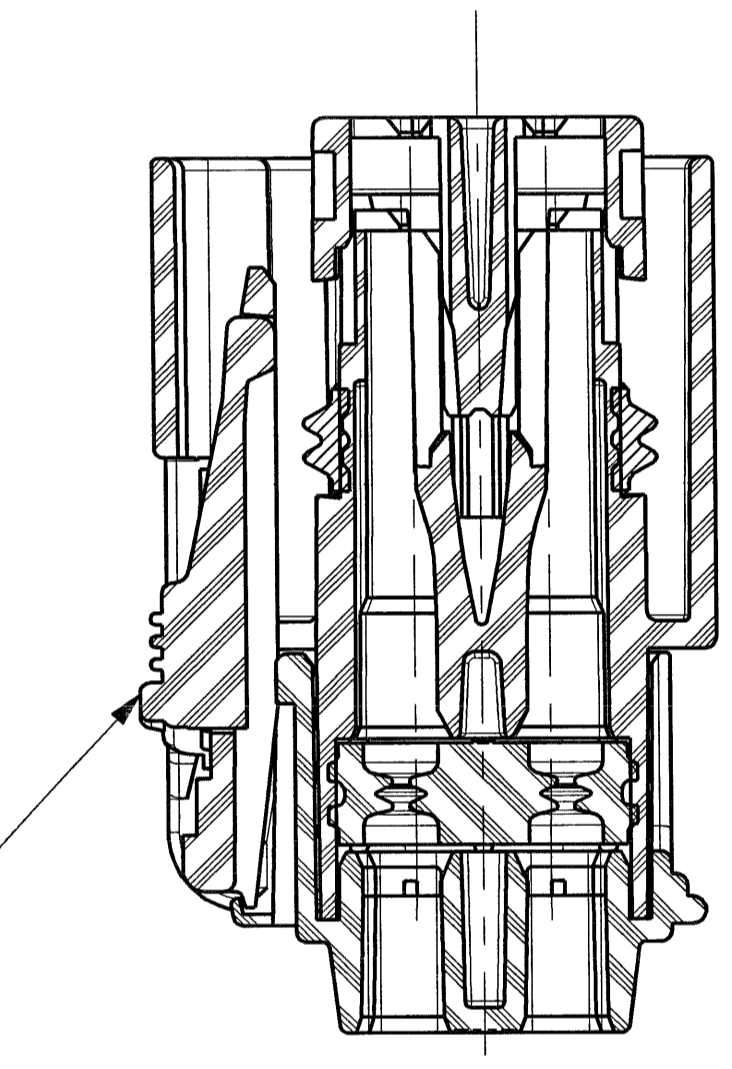
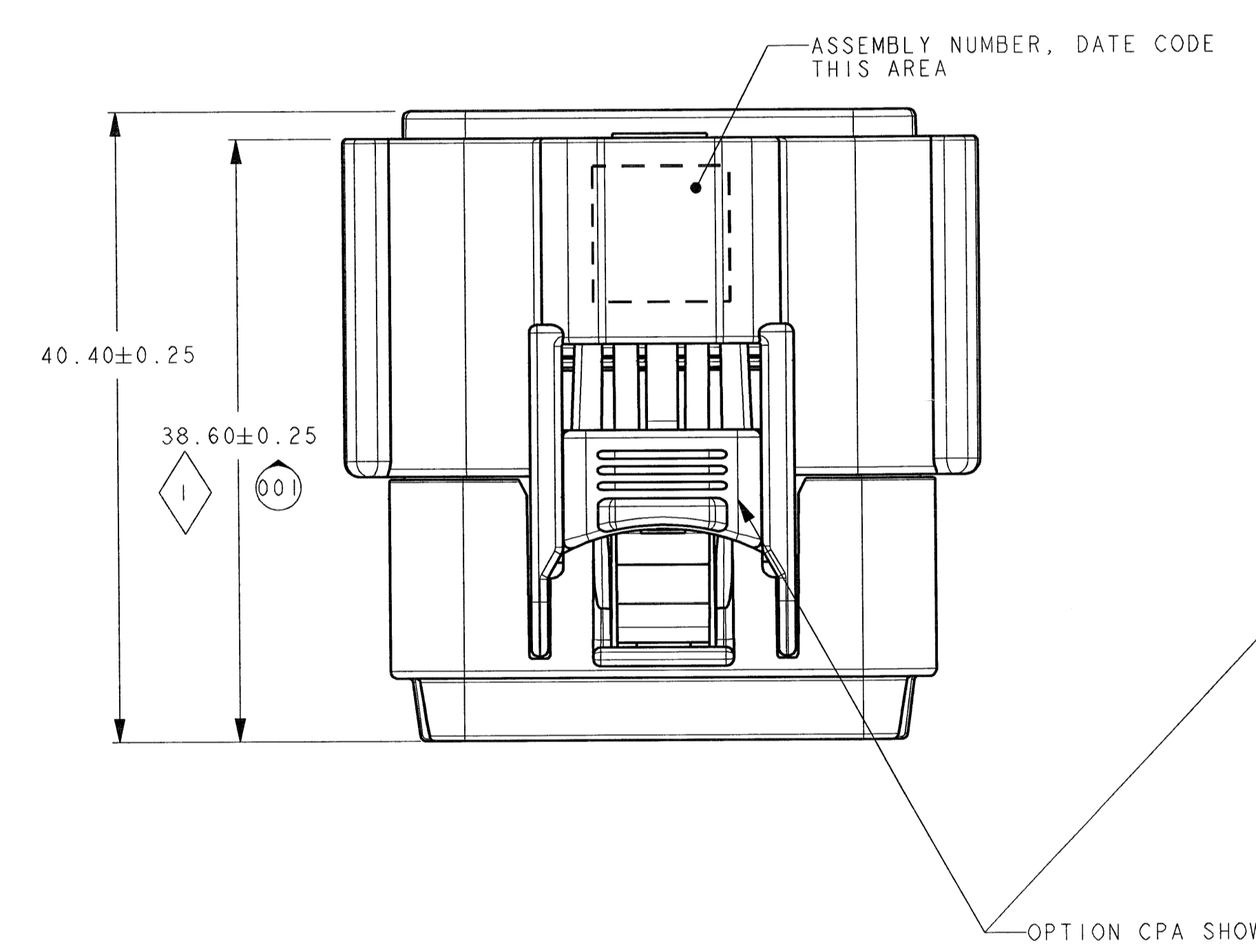
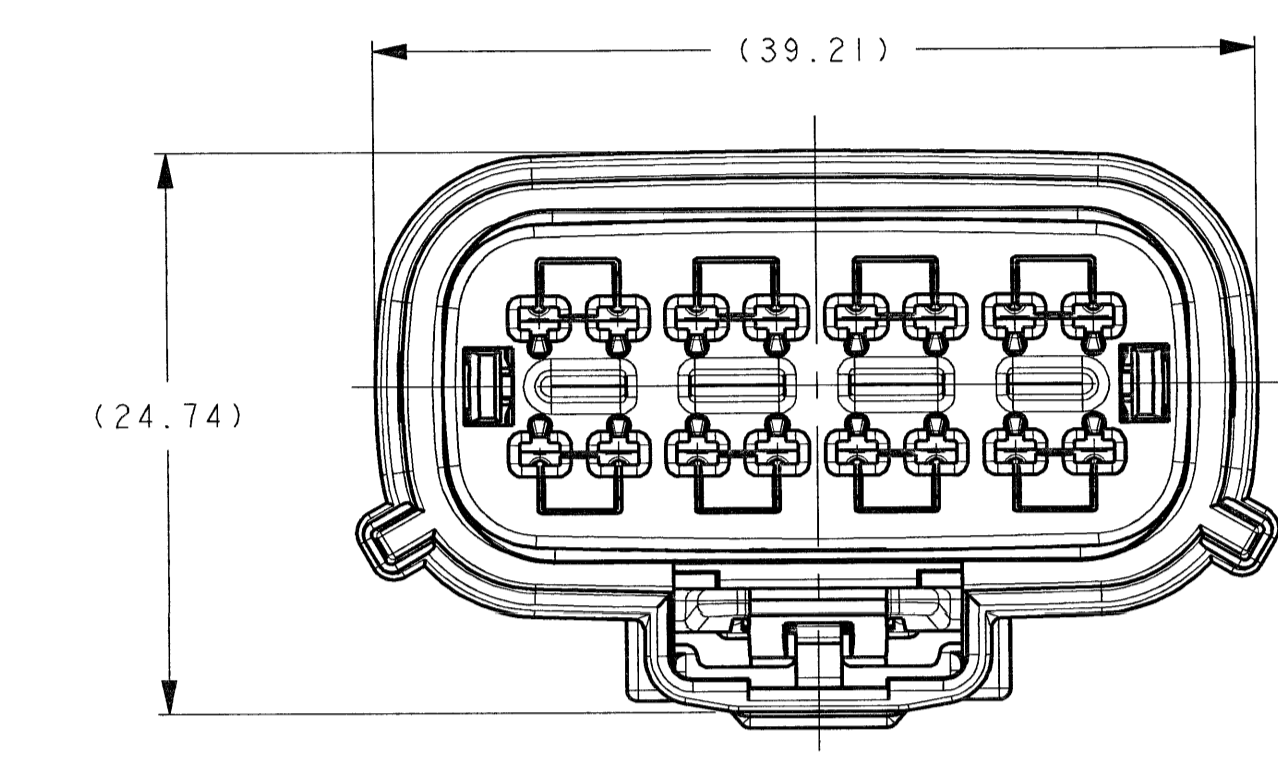


OPTION C



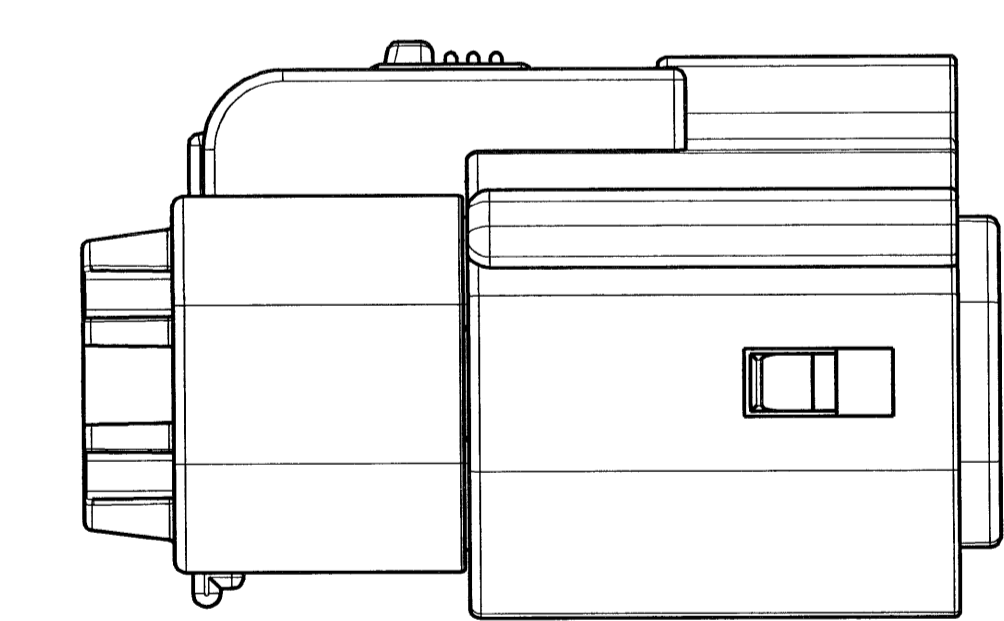
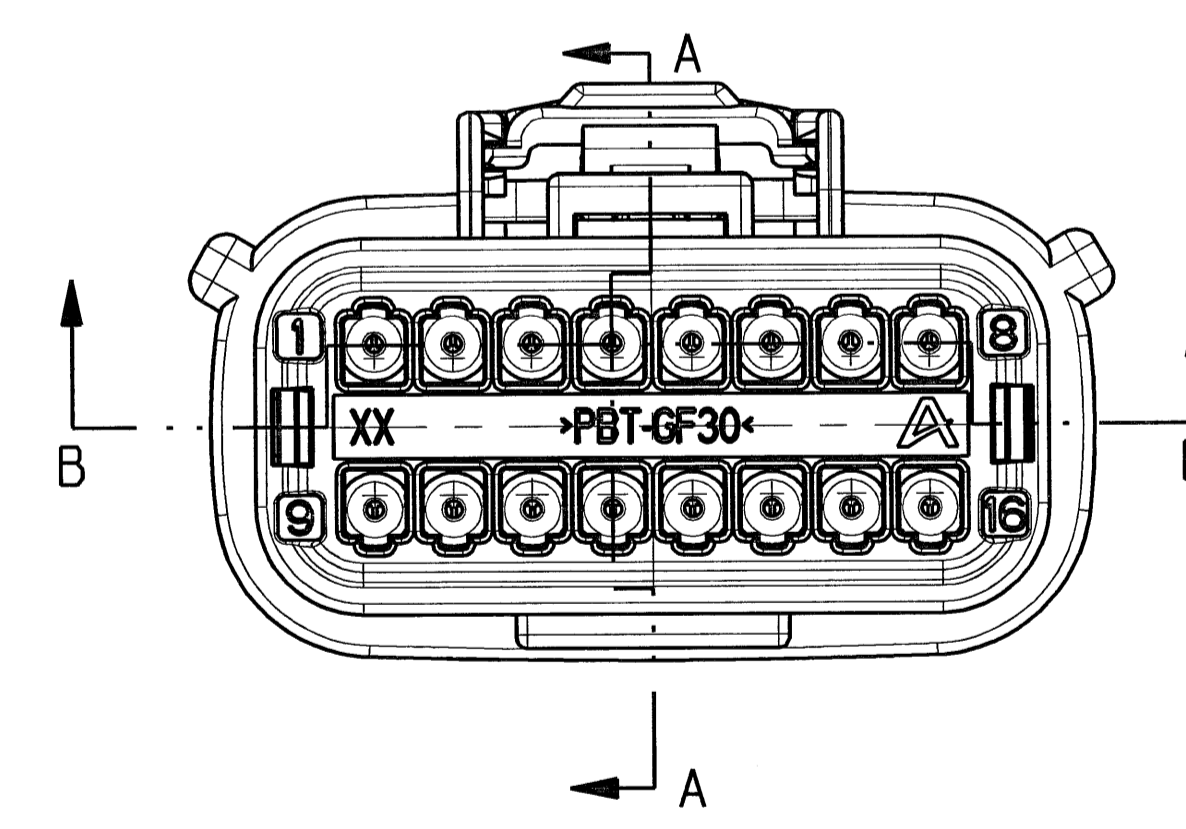
OPTION D

POLARIZATION OPTIONS

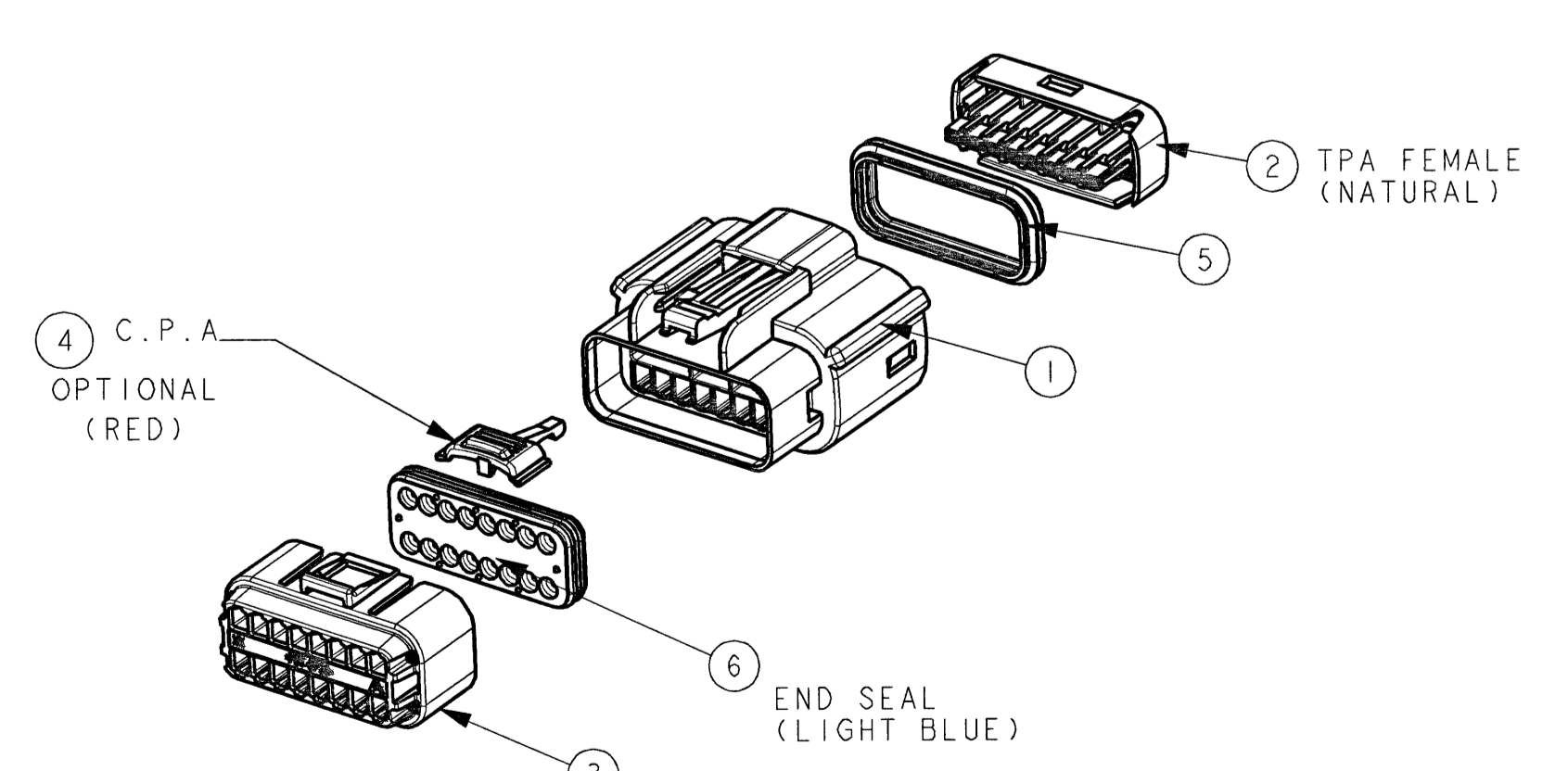


SECTION A-A
C.P.A. & T.P.A. IN PRE-ASSEMBLED POSITION (SHOWN WITH OPTIONAL C.P.A.)

SECTION B-B



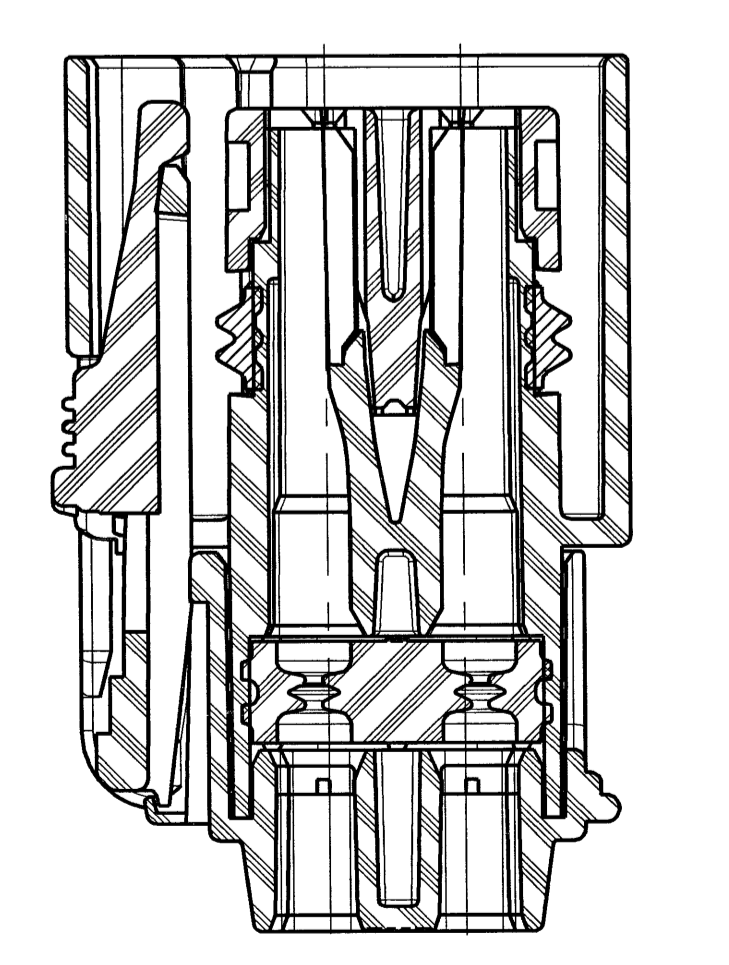
UNCONTROLLED
FCI AUTOMOTIVE
3/10/2008
AMERICAS
FCI MASTER COPY WHEN IN RED



ACTUAL SIZE VIEW

APPLICABLE COMPONENTS			
SUPPLIER COMP PART NUMBER	ITEM DESCRIPTION	PLATING	GRIP SIZE
54001625	APEX 150 TERMINAL	TIN	16, 18
54002000	APEX 150 TERMINAL	TIN	20, 22
54001627	APEX 150 TERMINAL	GOLD	16, 18
54002002	APEX 150 TERMINAL	GOLD	20, 22
54241629	1.5 UNIVERSAL SEAL PLUG	-	-

- NOTES:
- MAXIMUM TEMPERATURE CLASS: CLASS 3 (125°C)
 - TEST METHOD PER: SAE/USCAR-2 REV-4; SAE/USCAR-20 REV-2
 - CONNECTOR MAY BE USED WITH THE FOLLOWING RANGE OF WIRE SIZES/TYPES: - SIZE 22 GAGE - 16 GAGE - 1.50mm MIN O.D. TO 2.41mm MAX O.D. - TYPE: TPL (MIL-123-A, AMS-8288) - CONTACT FCI ENGINEERING REGARDING USE OF OTHER WIRE TYPES AND/OR SIZES
 - CONNECTOR MAY BE USED WITH THE FOLLOWING TERMINALS: - FCI APEX150 WITH WIRE SIZES DEFINED IN NOTE 3 - SEE FCI DRAWING JS4011 FOR SPECIFIC PART NUMBERS AND CRIMPING REQUIREMENTS. - CONTACT FCI ENGINEERING REGARDING USE OF COMPATIBLE NON FCI TERMINALS
 - ANNUAL QUALITY REQUIREMENTS: IT IS PERMISSIBLE TO PERFORM CONTINUOUS CONFORMANCE PER FCI SPECIFICATION BAQA-001 INSTEAD OF ANNUAL WIRE AND ANNUAL PV REQUIREMENTS OF QS-9000 SECTION 2 AND SAE/USCAR-2 REV-4.
 - INTERFACE REQUIREMENTS: MATES WITH FCI CONNECTORS AS SPECIFIED IN CHART AND WITH DEVICES THAT CONFORM TO USCAR ISO-S-016-2-201
 - QUALITY ASSURANCE REQUIREMENTS SPC DATA, REQUIRED



SECTION A-A
C.P.A. & T.P.A. IN FINAL POSITION

REV	DATE	BY	CHKD	APP'D	DESCRIPTION
10241	03/07/2008	M	CHART	ADDED P/N F328100	FAH
10170	02/14/08	L	CHART	ADDED 198100, 198100, 198100 AND 200100 (AT PL 'X')	REB
10026	11/13/07	H	NOTES	WAS (38.60) - ADDED NOTE #7	RCB
9914	10/01/07	J	CHART	REVISED NOTES 3 & 4	RCB
9805	04/23/07	H	CHART	ADDED ASSE 55241600N-55241605N	RCB
9805	07/18/07	G	CHART	ADDED PCL1	RCB
9602	07/12/07	F	CHART	REVISED DRAWING LATCH CHART	RCB
7697	04/20/06	E	CHART	RETAINER PART NUMBERS REVISED	FAH
7337	12/14/04	D	A1-P23	VIEWS UPDATED TO REFLECT NEW LATCH	FAH
		I	HZZ	(24.74) WAS (24.24)	I
7035	06/03/04	C	CR	CORRECTED ALLOWED WIRE SIZE RANGE	FAH
6930	07/17/04	B	J17	ADDED PLUGGED VIEW TO CHART	FAH
			801	ADDED EXPLODED VIEW	FAH
			80	ADDED NOTES	
			M14-016	CORRECTED BALLBOON NUMBERS TO MATCH CHART	
			F23	ADDED 40.40±0.25	
			M14-016	ADDED COLOR CALLOUTS TO EXPLODED VIEW	
			M3-P3	KEY OPTIONS CORRECTED (B & D SWITCHES)	
			18	ADDED 'MATES WITH' TO CHART	
			H18-J18	ASSEMBLY NUMBERS REVISED	
6571	04/16/04	A	RELEASED		JAF
			10K	FORM DESCRIPTION	DAW
			10K	FORM BY	DAW
			10K	FORM BY	DAW

Mouser Electronics

Authorized Distributor

Click to View Pricing, Inventory, Delivery & Lifecycle Information:

[Aptiv:](#)

[54241630](#) [54241630N](#) [54241631](#) [54241632](#) [54241632-B](#) [54241631-B](#) [54241630-B](#) [54241633-B](#) [54241630N-B](#)
[54241631N-B](#) [54241632N-B](#) [54241633N-B](#)