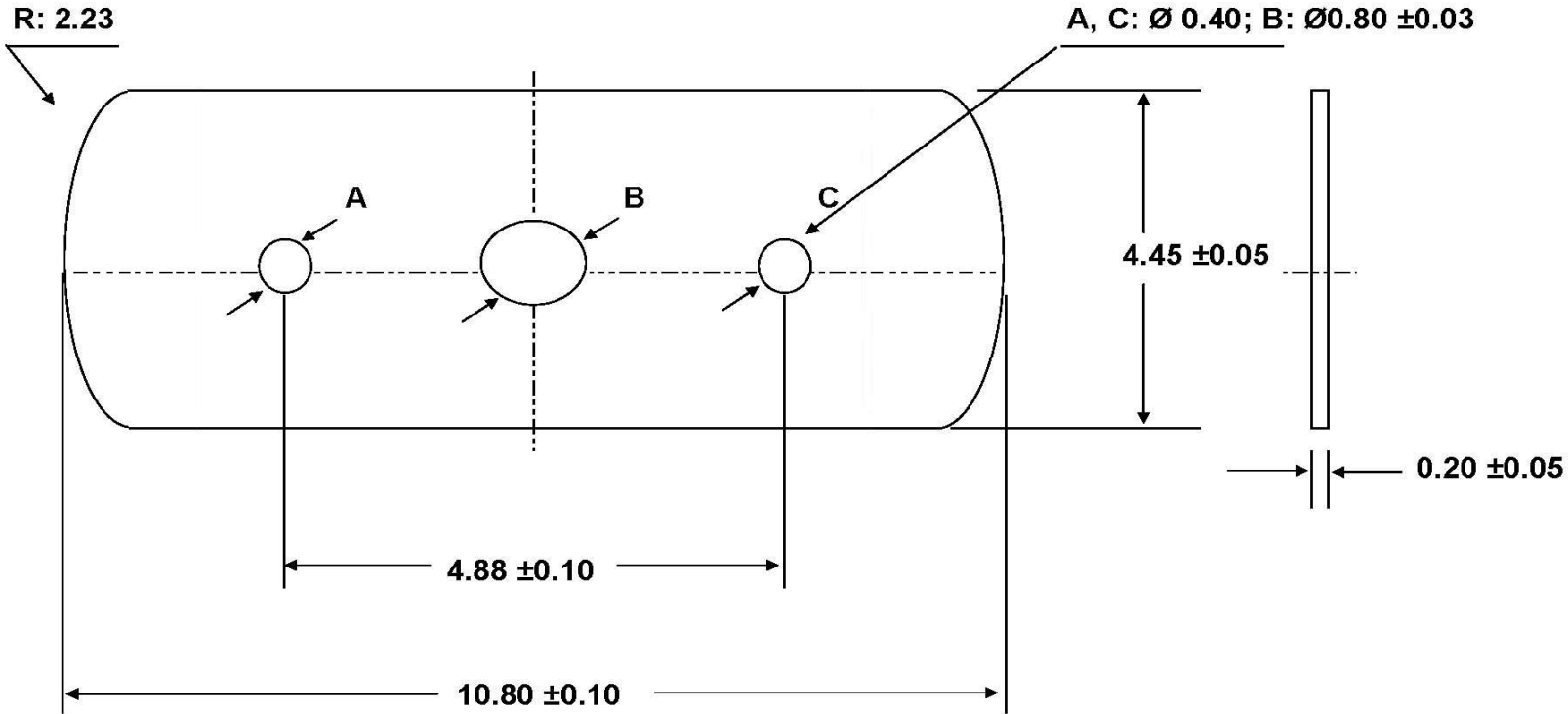


REVISIONS			
REV	DESCRIPTION	DATE	APPROVED



ECS P/N: 700-TFL-9001

ECS INC. INTERNATIONAL
 1105 S. Ridgeview
 Olathe, KS 66062
 (913) 782-7787

SIGNATURES	DATE
DRN BL	1/11/2011
CHK DK	1/11/2011
APP BS	1/11/2011

TITLE		REV
HC-49U/US Base Insulator		
SIZE A	DWG NO.700-TFL-9001	-

Dimensions in mm	CAGE CODE: 1G8B7	SHEET 1 OF 1
-------------------------	------------------	--------------

Mouser Electronics

Authorized Distributor

Click to View Pricing, Inventory, Delivery & Lifecycle Information:

[ECS:](#)

[700-TFL-9001](#)